

3K series AOI / AOM Systems

Product range providing inspection quality, throughput and ROI without compromise



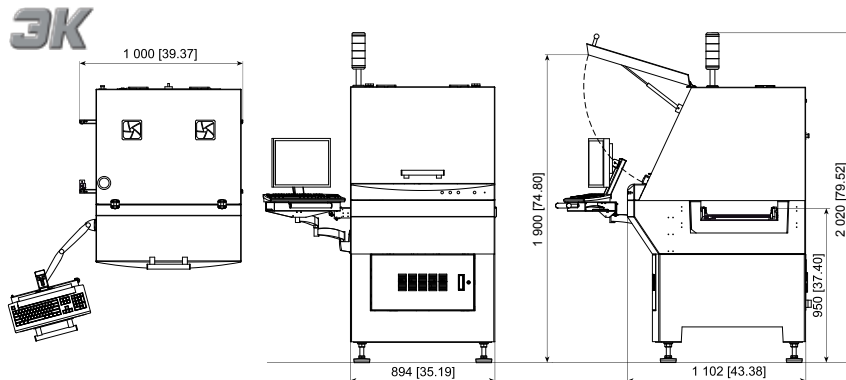
- For post print, mixed mode, pre reflow or post reflow applications.
- 100% inspection: presence, absence, polarity and placement accuracy as well as OCV and solder joints and lead inspection with Profiler[®] tool.
- Jedec component library powered with Vectoral Imaging technology inspection tools.
- Real-time Statistical Process Control (SPC) capability.
- Automatic conveyor width adjustment for boards up to 18" x 16".
- Cycle time: from 170 000 to 400 000 components per hour.
- Powered by i-LITE (Programmable Illumination System).

3K Series - AOI / AOM Systems

SPECIFICATIONS

Type	3K	3K Dual Lane
Mechanical system (dimensions in mm [inches])		
Maximum board dimensions	458 [18] x 406 [16]	2 x 458 [18] x 160 [6.3]
Board thickness (minimum to maximum)	0.7 to 4 mm [0.02 to 0.16]	
Maximum board weight	3 kg [6.6 lb]	
Maximum inspectable board area	458 [18] x 406 [16]	2 x 458 [18] x 160 [6.3]
Minimum inspectable board area	50 [1.96] x 50 [1.96]	
Clearance under camera	34 [1.33]	
Clearance under board	34 [1.33] (10 [0.39] closed to clamp blades)	
Clamping system edge	3 [0.12]	
Board positioning	Board and panel fiducials	
XY table	Linear motors and coders	
Frame type	Composite granite	
Camera resolution		
Plus	1 620 x 1 220	
Perform	2 352 x 1 728	
Premium	2 352 x 1 728	
Pixel size (sub pixel technology)		
Plus	8 - 12 µm	
Perform	8 µm	
Premium	8 µm	
Camera field size		
Plus	42.1 [1.65] x 31.7 [1.24]	
Perform	61.1 [2.40] x 44.9 [1.76]	
Premium	61.1 [2.40] x 44.9 [1.76]	
Lighting system		
Lighting colors	i-LITE (red, green, blue)	
Lighting types	Axial and peripheral	
Average inspection speed		
Inspection time per component	4 - 20 ms	
Average inspection speed for solder paste (contacts per mn)		
Plus	55 000	
Perform	58 000	
Premium	75 000	
Average production cycle time (components per hour)		
Plus	170 000	
Perform	250 000	
Premium	400 000	
Type of components inspected	01005 up to exotic	
Software		
Operating system	WINDOWS XP	
Vision integrated software suite	Standard	
Off-line programming software	Optional	
Off-line repair software	Optional	
Standard Library based on Jedec packages	Standard	
Communication		
Upstream / downstream	SMEMA 2	
Network	TCP/IP, RJ45 plug	
Facilities		
Electrical supply	115 / 230 V, 50 / 60 Hz, 16 / 8 A	
Electrical consumption	1600 VA	
Machine dimensions W x D x H	1000 [39.37] x 1102 [543.38] x 2020 [79.52]	
Weight	1200 kg	
Transport height	950 +/- 50 [37.4 +/- 2] (option 850 +/- 50 [33.5 +/- 2])	

DIMENSIONS



3K
Automated
Optical
Inspection

EUROPE
VITECHNOLOGY SA
France
Tel: + 33 4 76 75 85 65
Fax: + 33 4 76 75 05 19
www.vitechnology.com

ASIA / PACIFIC
VITECHNOLOGY LTD
Singapore
Tel: + 65 6747 6550
Fax: + 65 6747 6558
www.vitechnology.com

China
Tel/Fax: + 86 755 82124147
www.vitechnology.com

THE AMERICAS
VITECHNOLOGY INC
United States
Tel: + 1 972 235 1170
Fax: + 1 972 235 1171
www.vitechnology.com

Vitechnology® is a registered trademark of Vitechnology®.
All products and brands, named in this document, are
trademarks of their respective owners.
Specifications subject to change without notice.

VITECHNOLOGY®